

User guide

VeeSpray Ceramic Nebulizer

CV6 Series

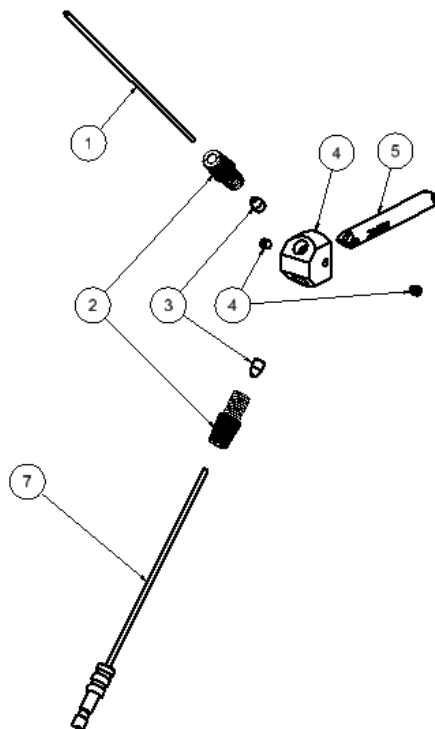
BEFORE YOU START

Congratulations on the purchase of your VeeSpray nebulizer. The VeeSpray ceramic nebulizer is supplied assembled and ready for use. Table 1, lists the nebulizer components supplied.

Item No.	Part Number	Description	Qty
1	VSS-075	Sample tubing 1/16" x 750mm	1 *
2	2361	Ratchet nut	2
3	70-803-0780	Ferrule	2 *
4	70-803-0914	Titanium set screw	2 *
5	01-801-0666	VeeSpray nebulizer housing	1
6	01-801-0747	VeeSpray nebulizer body	1
7	70-803-0697	Adaptor tube	1

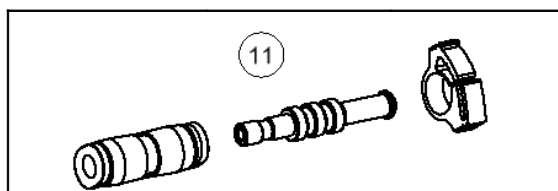
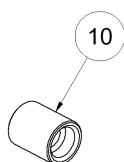
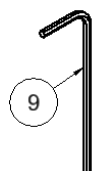
Table 1

* When ordered, replacement ferrules, screws and tubing are supplied in packs of ten.



Accessory items for VeeSpray nebulizer

Item No.	Part Number	Description	Qty
9	2376	Hex Key 1/16"AF	1
10	21-100-0246	Nebulizer positioning spacer	1
11	EL-1	EzyLok Kit	1



User guide

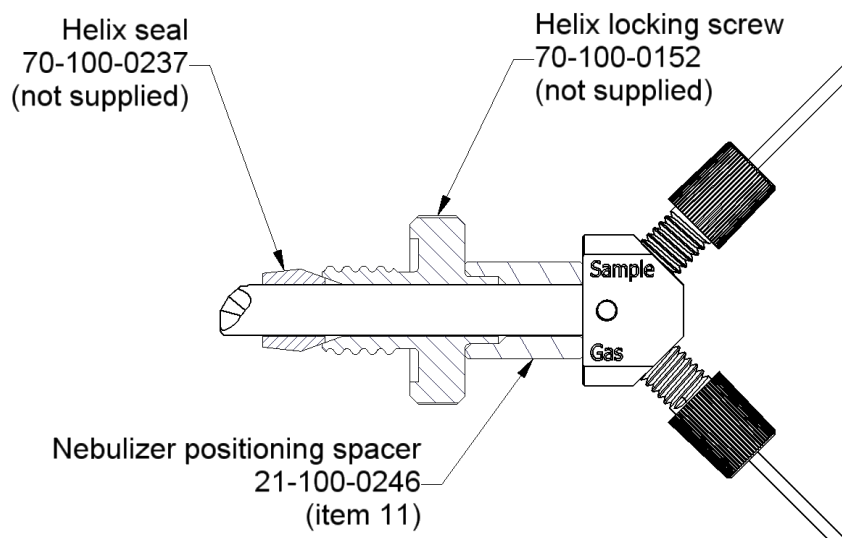
VeeSpray Ceramic Nebulizer

CV6 Series

Nebulizer operation

Use of Nebulizer Spacer

The Nebulizer spacer (item 11) is required when VeeSpray Nebulizer is used with a spray chamber which has the Helix fitting as shown.



Position of the Nebulizer

Ensure Nebulizer is positioned with the sample inlet (labeled 'Sample' on the housing) directly above the gas inlet (labeled 'Gas' on the housing)

Argon Connection

4mm hard tubing: Push directly into Ezylok connector (item 8, QSM-4)

6mm soft tubing: Push onto Ezylok hose adaptor (item 10, 70-808-0735) and clamp with hose clip. Push hose adaptor into EzyLok connector (item 8, QSM-4)

Sample uptake

The sample must be pumped as the VeeSpray nebulizer is not self aspirating. The operating range is 0.6 to 3.0ml/min.

Best results are obtained with the sample uptake in the range 1.5 to 2.5ml/min.

Chemical resistance

The VeeSpray nebulizer is made from alumina ceramic and is resistant to virtually all chemicals used with an ICP spectrometer. It can be used with strong acids, including HF, as well as organic solvents.

User guide

VeeSpray Ceramic Nebulizer

CV6 Series

Nebulizer maintenance

Connect VeeSpray body

1. Slide VeeSpray Body into Housing.
Note! Body must be positioned as shown – Refer Figure 1
Once fitted, VeeSpray body indentation must be aligned with threaded hole in VeeSpray housing.
2. Using the Hex Key provided, lightly tighten Set screw on each side of Housing.
Note! Do not use excessive force when tightening screws

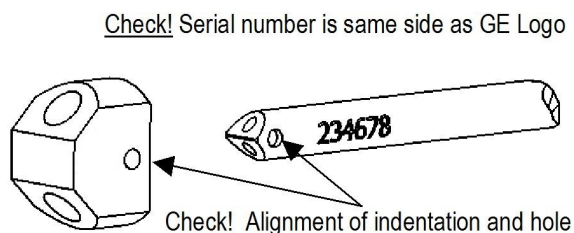


Figure 1

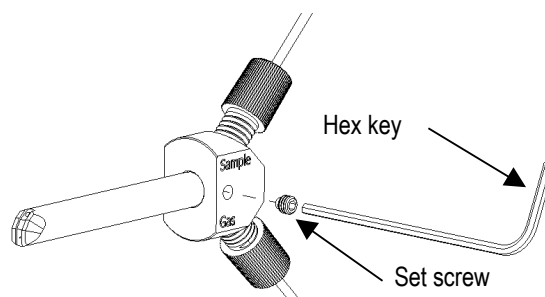


Figure 2

To remove the VeeSpray Body, ensure all fittings are removed then repeat steps 1 and 2 in reverse order.

Connecting the Gas Line ('G' Port)

1. Fit (Push on) EzyLok connector to adaptor end of Adaptor Tube.
Cut opposite (free) end of Tube to the desired length – Refer figure 1
Note! Ensure Tube cut is clean and square
2. Pass the free end of the Adaptor Tube through the Ratchet nut.
Then insert (push) Tube into Ferrule. The tube must finish flush with Ferrule – Refer figure 2
Hint! PTFE Tube is slippery – wearing rubber or similar type gloves will help complete this task.

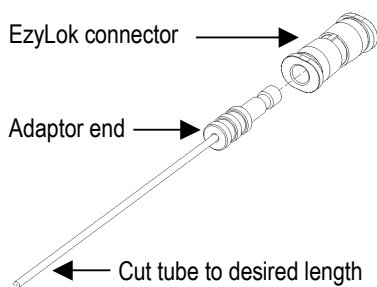


Figure 1

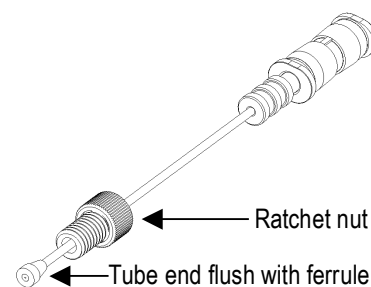


Figure 2

3. Insert Ferrule end of Adaptor tube into the Housing port (Marked 'G') then tighten the Ratchet nut. The Ferrule is now sealed against the Nebulizer Body – Refer figure 3

Note! Ratchet nut has an in-built ratchet to prevent over-tightening. Screw in Ratchet nut until you hear it click.

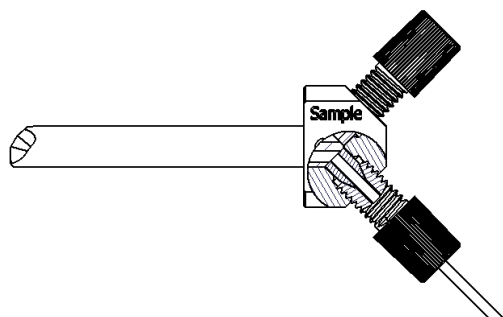


Figure 3 (Housing partially sectioned)

User guide

VeeSpray Ceramic Nebulizer

CV6 Series

Nebulizer maintenance continued

Connecting Sample Line

1. Pass the PTFE Tube through the Ratchet nut - Refer figure 1
2. Push PTFE Tube through the Ferrule. The tube must finish flush with Ferrule - Refer figure 2
Hint! PTFE Tube is slippery – wearing rubber or similar type gloves will help complete this task.

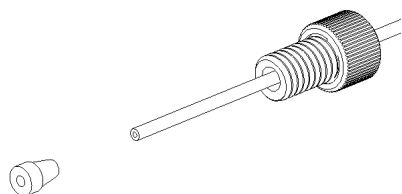


Figure 1

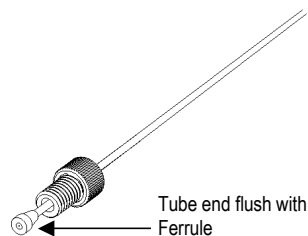


Figure 2

3. Insert Ferrule end of Adaptor Tube into the Housing port (Marked 'Sample') and tighten the Ratchet nut. The Ferrule is now sealed against the Nebulizer Body – Refer figure 3

Note! Ratchet nut has an in-built ratchet to prevent over-tightening. Screw in Ratchet nut until you hear it click.

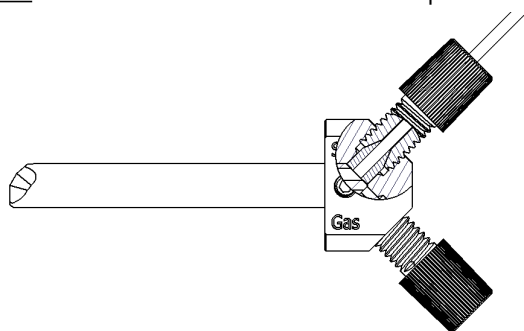


Figure 3 (Housing partially sectioned)

Replacement Parts

The following spare parts can be purchased: -

Part Number	Description	Pack Qty
STT-16-75	Sample tubing 0.75mm ID x 1/16" OD x 10 metres long	1
70-803-0914	Titanium set screw pack	10
70-803-0780	Ferrule pack 1.6mm Ferrule	10